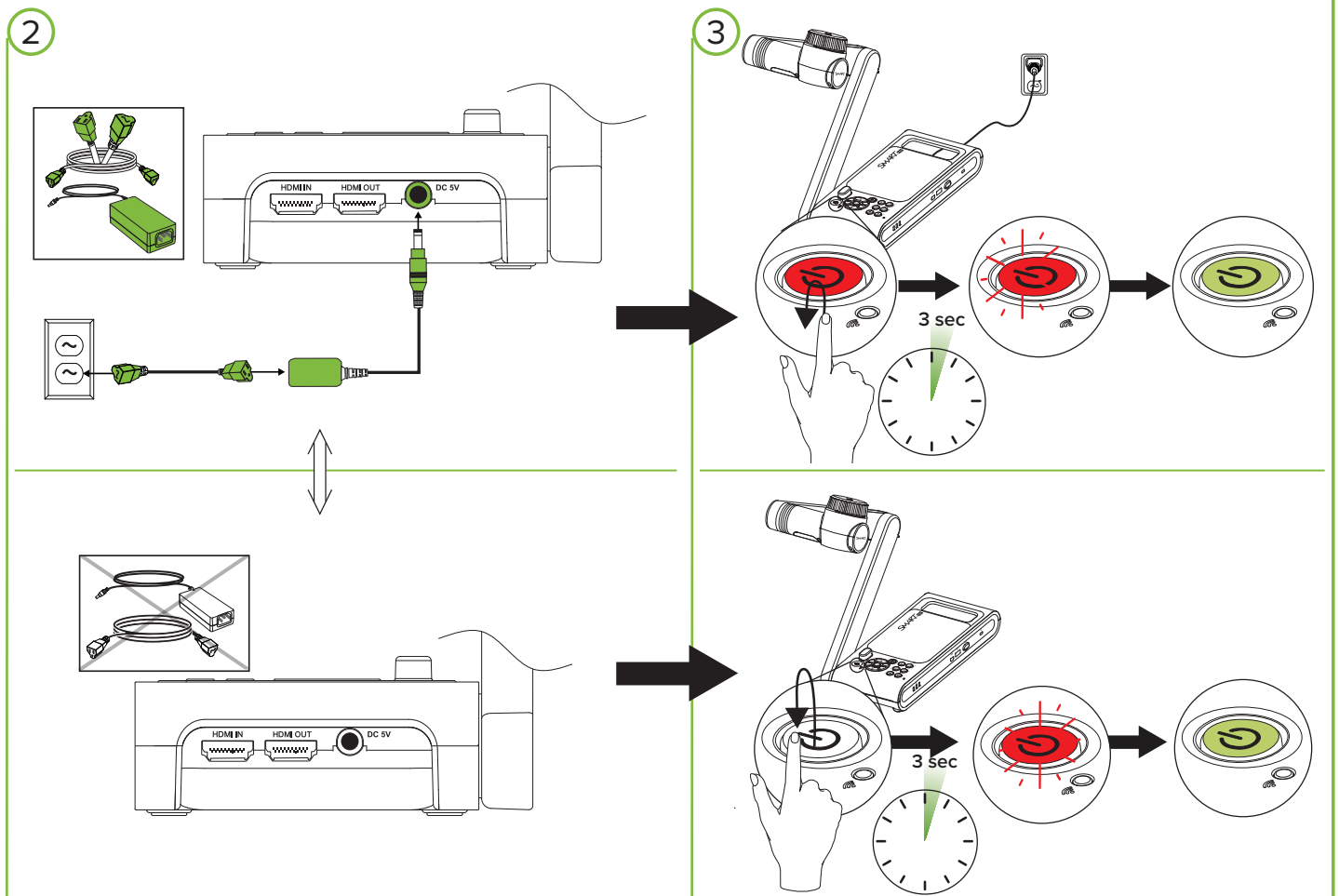
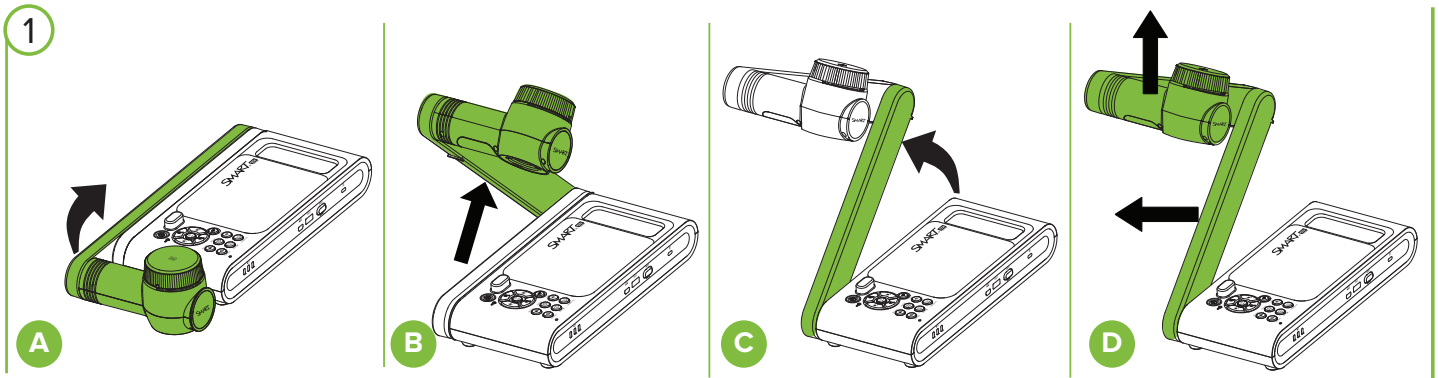
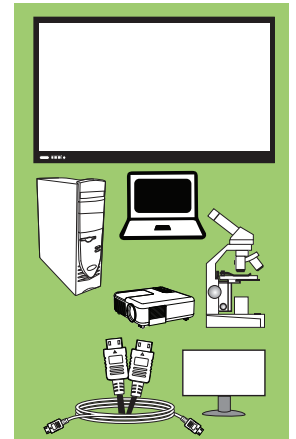


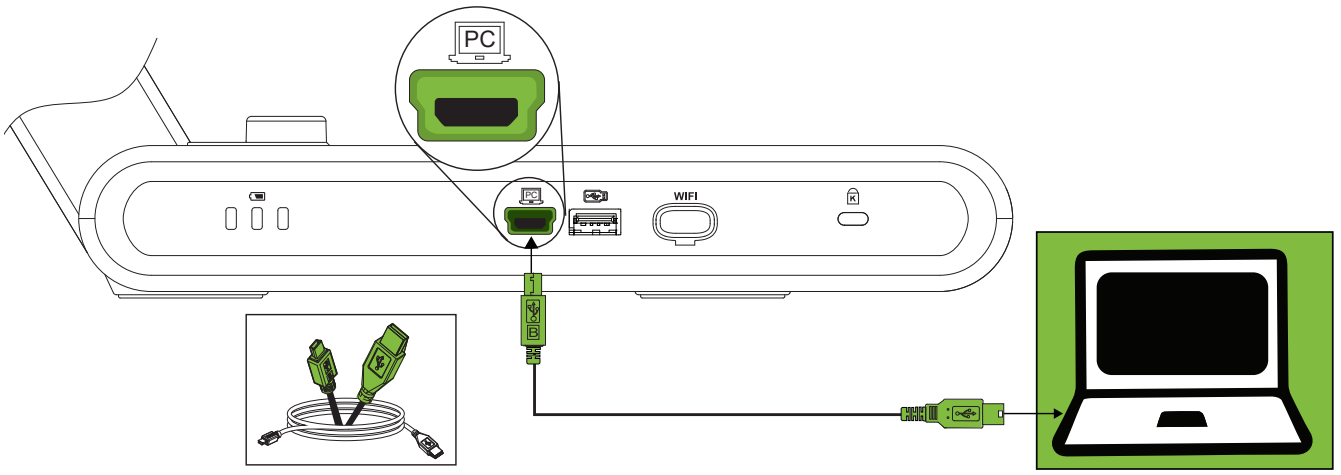
# SMART DOCUMENT CAMERA 650 QUICK CONNECT GUIDE

Model SDC-650

#	Description
1	SDC-650, document camera
2	AC-DC 100V-240V 5VDC 3 A Power adaptor
3	USB-A to USB mini-B cable, 1.8m
4	Power cord, 1.8m
5	Two-pack AAA Battery
6	Remote control
7	WiFi dongle
8	Anti-glare sheet
9	Quick connect guide SDC-650
10	SMART product information card



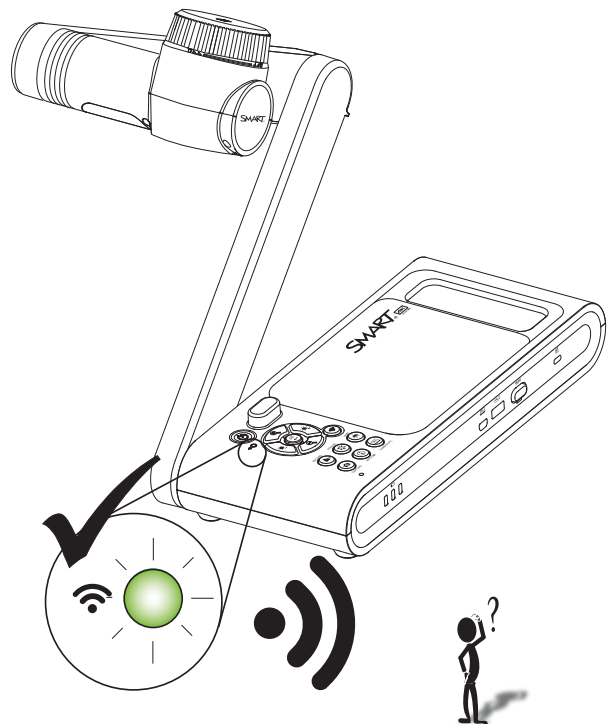
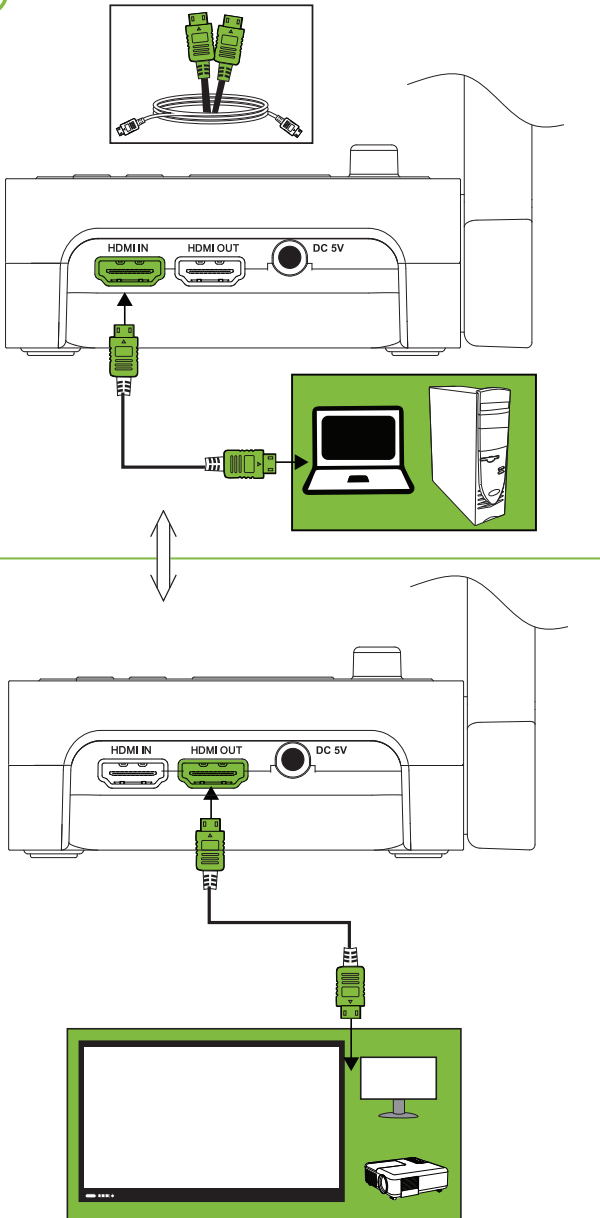
4



5

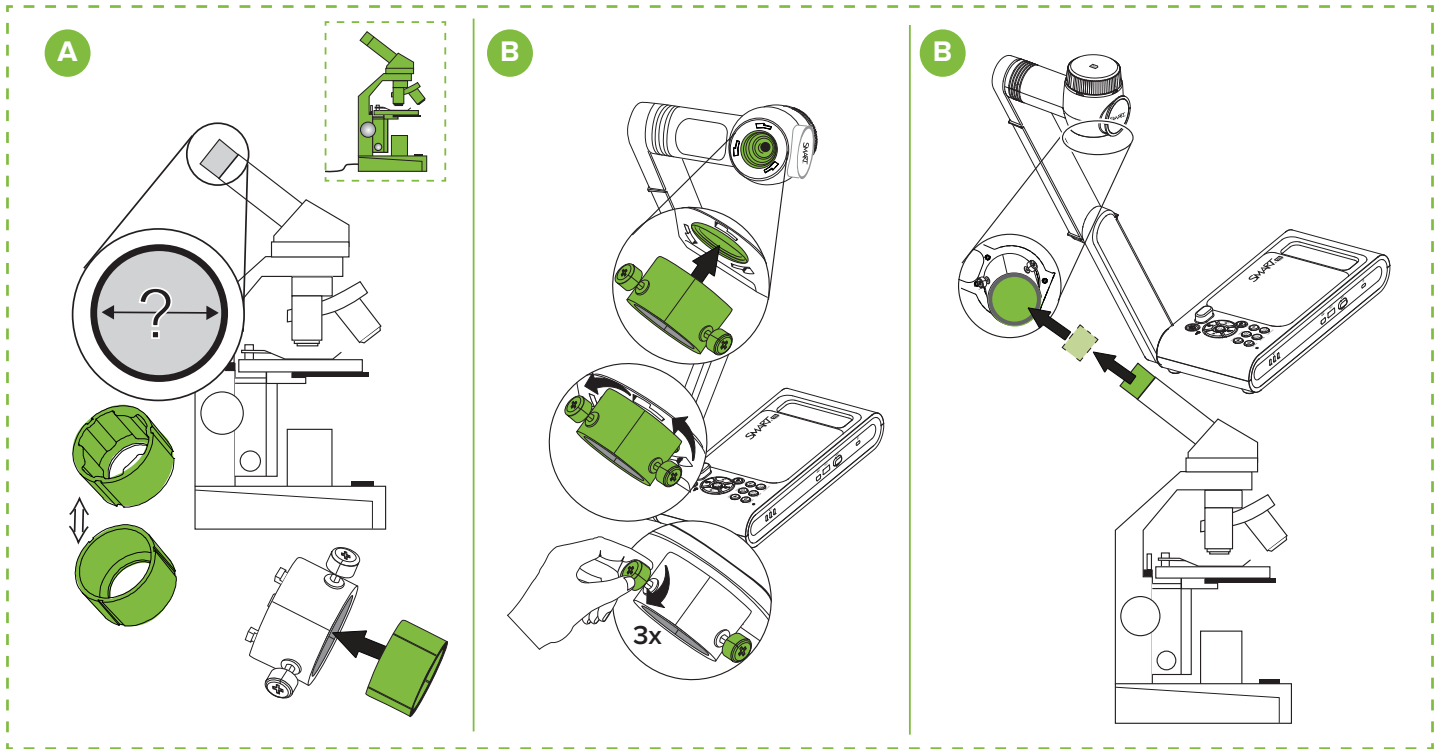
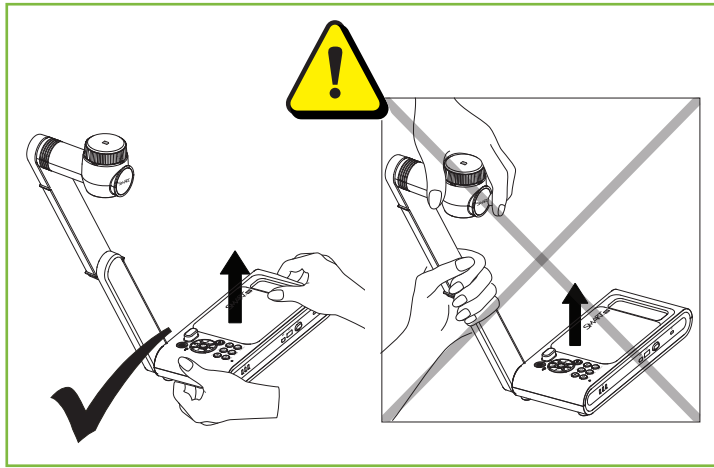
[sdc650download](https://www.smarttech.com/sdc650download)

6



<https://www.smarttech.com/sdc650>

**SMART**  
 Notebook  
<https://support.smarttech.com/downloads/notebook>



### EU Declaration of Conformity

Hereby, SMART Technologies ULC declares that the radio equipment type Wireless AC Dual Band USB Adapter, model WD650 is in compliance with Directive 2014/53/EU. The full text of the EU declaration of conformity is available at the following internet address: [www.smarttech.com/compliance](http://www.smarttech.com/compliance)

The frequency band and the maximum transmitted power in EU are listed below:  
 2400MHz - 2483.5MHz: 20dBm (EIRP) • 5180MHz – 5320MHz: 19dBm (EIRP) • 5500MHz – 5700MHz: 21dBm (EIRP)

**Restrictions** in (5GHz) AT/BE/BG/CZ/DK/EE/FR/DE/IS/IE/IT/EL/ES/CY/LV/LI/LT/LU/HU/MT/NL/NO/PL/PT/RO/SI/SK/TR/FI/SE/CH/UK/HR. 5150MHz-5350MHz is for indoor use only.

### Hardware environmental compliance

SMART Technologies supports global efforts to ensure that electronic equipment is manufactured, sold and disposed of in a safe and environmentally friendly manner.

### Waste Electrical and Electronic Equipment and Battery regulations (WEEE and Battery Directives)

- Electrical and electronic equipment and batteries contain substances that can be harmful to the environment and to human health. The crossed-out wheeled bin symbol indicates that products should be disposed of in the appropriate recycling stream and not as regular waste.
- Batteries:** The SDC-650 contains a rechargeable lithium battery. The remote contains two AAA batteries. Recycle or dispose of batteries properly.

[support.smarttech.com/support](http://support.smarttech.com/support)  
[support.smarttech.com/contact-support](http://support.smarttech.com/contact-support)

© 2020-2021 SMART Technologies ULC. All rights reserved. SMART Document Camera, smarttech, the SMART logo and all SMART taglines are trademarks or registered trademarks of SMART Technologies ULC in the U.S. and/or other countries. All third-party product and company names may be trademarks of their respective owners. This product and/or use thereof covered by one or more of the following U.S. patents: [smarttech.com/patents](http://smarttech.com/patents). Other patents pending. November 1, 2021

**SMART**  
 1035151 Rev 05

[smarttech.com/kb/171709](http://smarttech.com/kb/171709)